

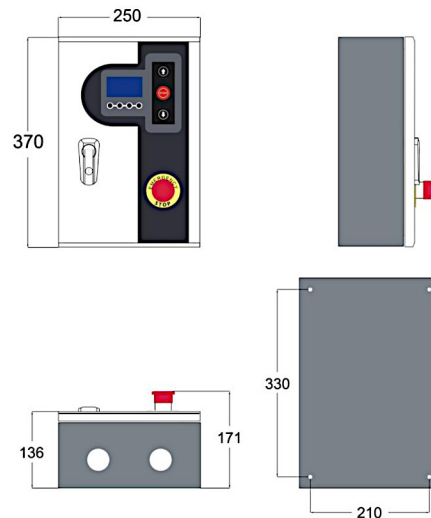
» OPERADOR INVERTER ENCODER ABSO TAB 0.75K 220V MARCA POWEVER  
MOD. A4-PE200 PE200B-2F, MOD. A4-PE200 PE200B-2F, MOD. A4.

Specification for Electronic Control System

Model	PE200B	PE500B	PE700B
Rated Output Power	0.75KW	1.5KW	2.2KW
Supply Voltage	AC 220 V±10%		
Speed Control	Closed Loop Speed Control		
Position Control	Closed Loop Position Control		
Protective Function	Over-current Protection, Over-voltage Protection, Under-voltage Protection, Overheating Protection and Overloading Protection		
Installation Site	Indoor, away from direct sunlight, dust, corrosive gas, oil and water vapor etc.		
Operation Temperature	-10°C~50°C		
Weight	5.8Kg	7.5Kg	8.7Kg
Installation Method	Wall Mounted		

Size

UNIT: mm



0.75KW Control Unit



A4-PE200/PE200B-2F



A4-PE200T/PE200B-2F



A4-PE200/PE200B-2F



A4-PE500T/PE500B-2F



A4-PE700/PE700B-2F



A4-PE700T/PE700B-2F

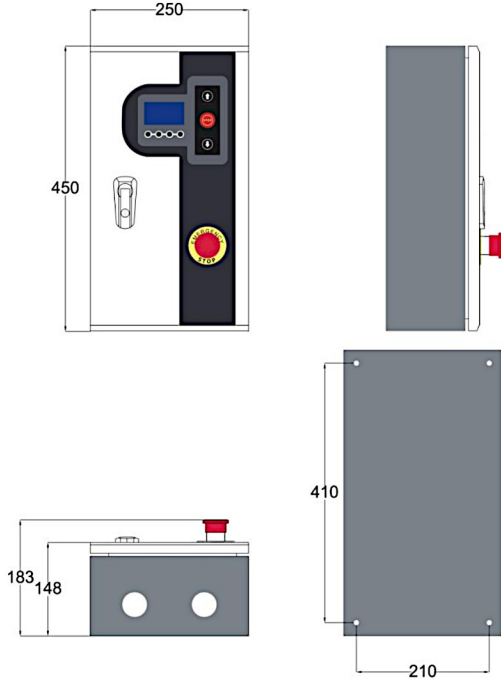


»OPERADOR INVERTER ENCODER ABSO TAB 0.75K 220V MARCA POWEVER  
MOD. A4-PE200 PE200B-2F, MOD. A4-PE200 PE200B-2F, MOD. A4.

High Speed Door Servo Control System

Size

UNIT: mm

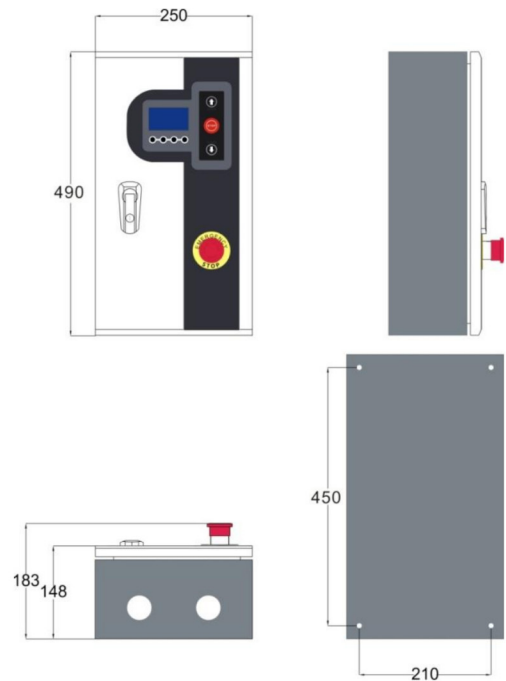


**1.5KW Control Unit**

High Speed Door Servo Control System

Size

UNIT: mm

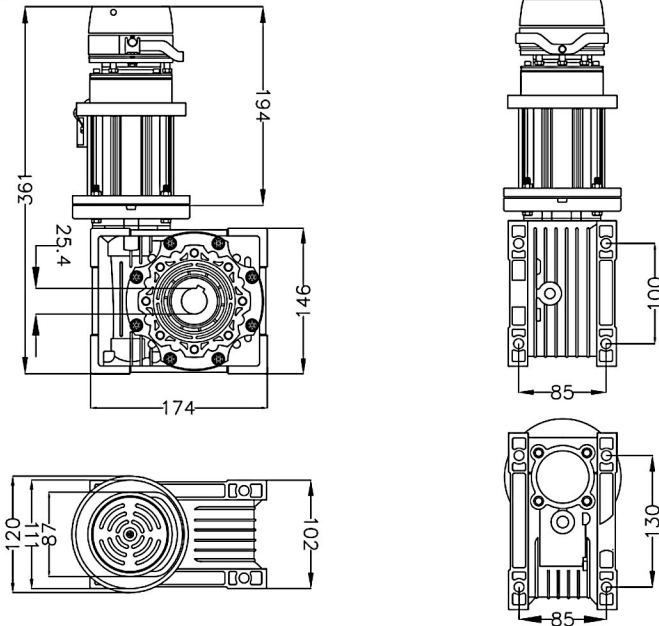


**2.2KW Control Unit**

High Speed Door Servo Control System

Size

UNIT: mm

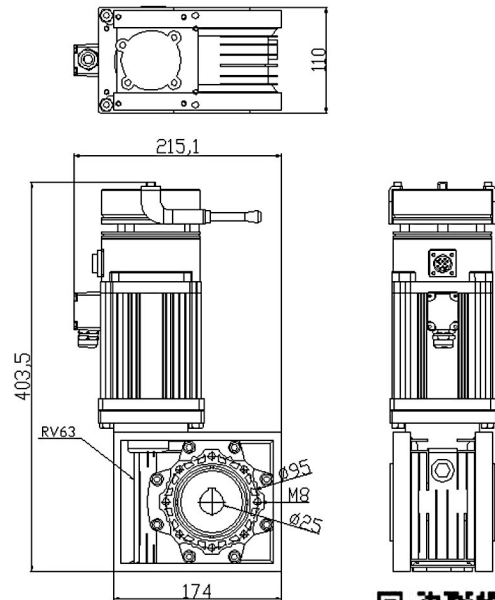


**0.75KW Motor**

High Speed Door Servo Control System

Size

UNIT: mm



**1.5KW Motor**



V02.23

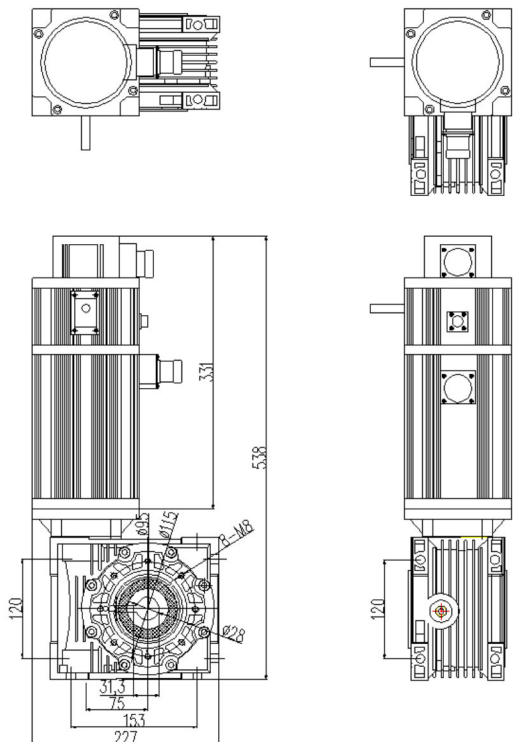
**»OPERADOR INVERTER ENCODER ABSO TAB 0.75K 220V MARCA POWEVER MOD. A4-PE200 PE200B-2F, MOD. A4-PE200 PE200B-2F, MOD. A4.**

High Speed Door Servo Control System

High Speed Door Servo Control System

Size

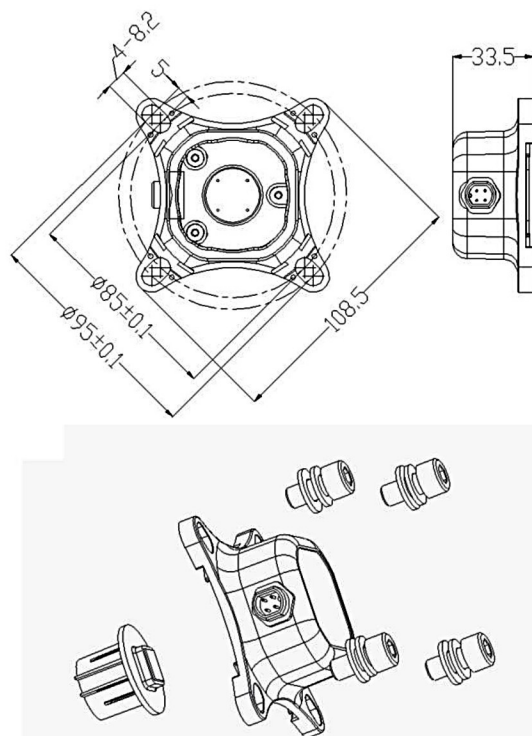
UNIT: mm



**2.2KW Motor**

Size

UNIT: mm



**Absolute Encoder**

